

User Guide

Extension Description

Successful Websites **ALWAYS** have logical navigation that mirror real world navigational expectations and experiences. Good menus **ALWAYS** look 100% clear, because they are designed and built to meet the needs of the site user. If we go through all websites and books about designing usable navigation systems and cut off all discussions and summarize all information, we will have these facts:

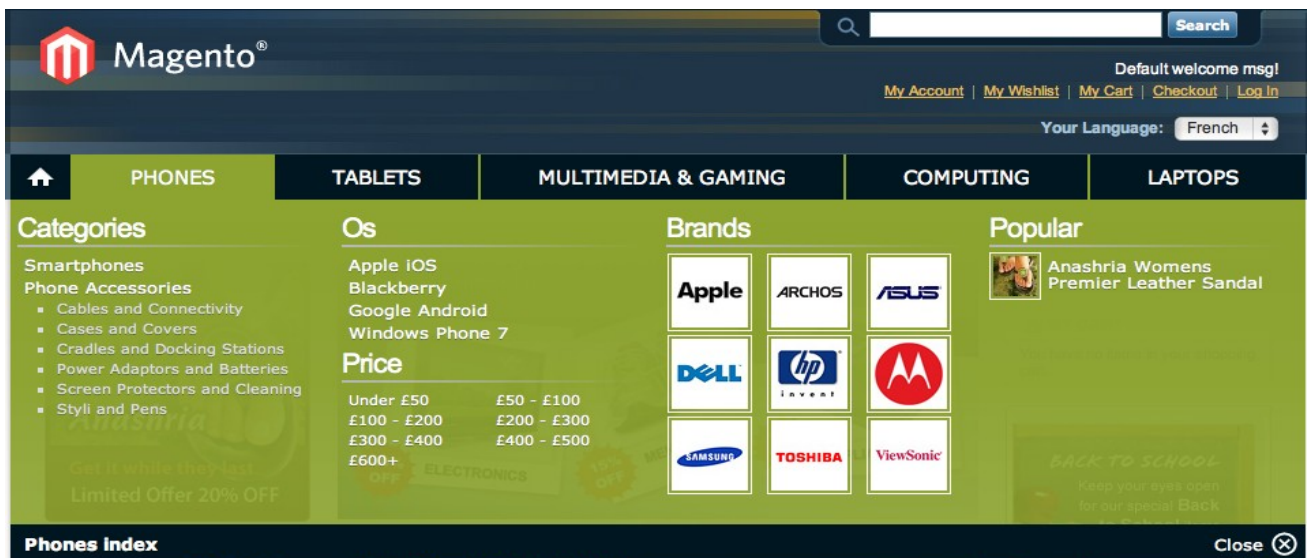
- ✓ For big sites with many options and links, regular navigation menus hide most of the user's options. Users simply can't find links!
- ✓ Order items into groups to let your customers visually emphasize relationships among them.
- ✓ Interface elements must be shown in milliseconds — no scrolling, double clicking or extra.
- ✓ Combine text and illustrations, help your clients find important information.
- ✓ Everything should be visible at once.

Megamenu's will help improve the overall usability of the site and can greatly influence the accessibility of the site for people with disabilities. Megamenu's will help you do more sales by helping users find more.

Top Navigation menu - Tabs

Features:

- ✓ Paste inside menu: widgets, static blocks, text, images, video, etc
- ✓ Each part of the menu are fully manageable from Magento backend
- ✓ Design of the menu based on proper html and CSS standards - Menu are fully compatible with all major browsers IE,FF,GC,AS,OP
- ✓ Paste inside menu : widgets, static blocks, text, shapes, images, video and all kind of content you have
- ✓ Modify and customize each type of menu item.
- ✓ Specify the alignment of the menu items
- ✓ The menu is original, with 2 completely different design, a minimalist red and strong blue.
- ✓ Open-source! Php, phtml and CSS code opened for editing.



Extension Installation

We made tests on all major installations and this extension is a fully workable. But It is highly recommended to backup your server files and database before installing this module. It is also recommended you install on a test server initially to carry out your own testing.

To install Menu follow this steps:

- 1 Clear the store cache under var/cache and all cookies for your store domain**
- 2 Disable Compilation Mode (if enabled)**
- 3 Log out from Magento Admin panel if you are logged in**
- 4 Unpack the contents of the “extension” folder from the package file to your Magento root directory**

If you dont use “default” folder as your theme pool directory copy files from app/design/frontend/default/default/ & skin/frontend/default/default to yours

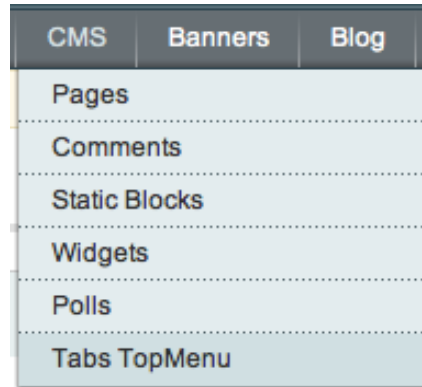
- 5 Check that magento has permissions to read extensions files.**

- 6 If Cache Control is enabled in Magento go to ‘System > Cache Management’ section, select ‘Refresh’ under ‘All Cache’ drop-down menu and press ‘Save Cache Settings’**

Top Navigation menu - Tabs

Extension Usage

After successful installation go to magento admin section. Under CMS tab you'll find new Menu section at your backend.



All menu items are displayed in grid, to edit/delete tabs use drop-downs in Action row, to add menu item use Add New Tab Button

Tabs Tabs grid ➕ Add New Tab

Page 1 of 1 pages | View 20 per page | Total 5 records found Export to: CSV Export Reset Filter Search

Select All | Unselect All | Select Visible | Unselect Visible | 0 items selected Actions Submit

	ID	Title	Url	Pos ↑	Type (Tab/Link)	Store View	Align	Status	From Time	To Time	Action
Any ↓				↓	↓	All Stor ↓	↓	↓	From: [calendar] [input] To: [calendar] [input]	From: [calendar] [input] To: [calendar] [input]	
<input type="checkbox"/>	27	Phones	#	1	Tab	All Store Views	Left	Enabled	Jan 10, 2012 1:37:34 PM		[dropdown]
<input type="checkbox"/>	28	Tablets	#	2	Tab	All Store Views	Left	Enabled	Jan 10, 2012 1:38:04 PM		[dropdown]
<input type="checkbox"/>	31	Multimedia & Gaming	#	3	Tab	All Store Views	Left	Enabled	Jan 11, 2012 4:22:31 PM		[dropdown]
<input type="checkbox"/>	30	Computing	#	4	Tab	All Store Views	Left	Enabled	Jan 11, 2012 4:22:11 PM		[dropdown]
<input type="checkbox"/>	29	Laptops	#	7	Tab	All Store Views	Left	Enabled	Jan 10, 2012 3:08:05 PM		[dropdown]

Top Navigation menu - Tabs

Edit tab 'Phones' Back Reset Delete tab Save tab Save And Continue Edit

General Information

Title *

Url

Type *

Position *

Store View *
All Store Views
Main Website
Main Store
English
French
German

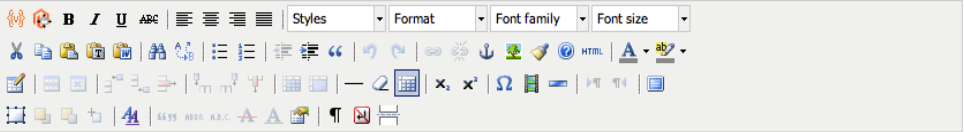
Align tab *

Status *

From Time

To Time

Content Show / Hide Editor



Brands

- Apple
- ARCHOS

Os

Path:

Fields description

Title: Tab title at front-end

Url: tab link

Type: choose tab if you need content section, or set it to link if you need only link without any drop-downs

Position: use it to set current tab position

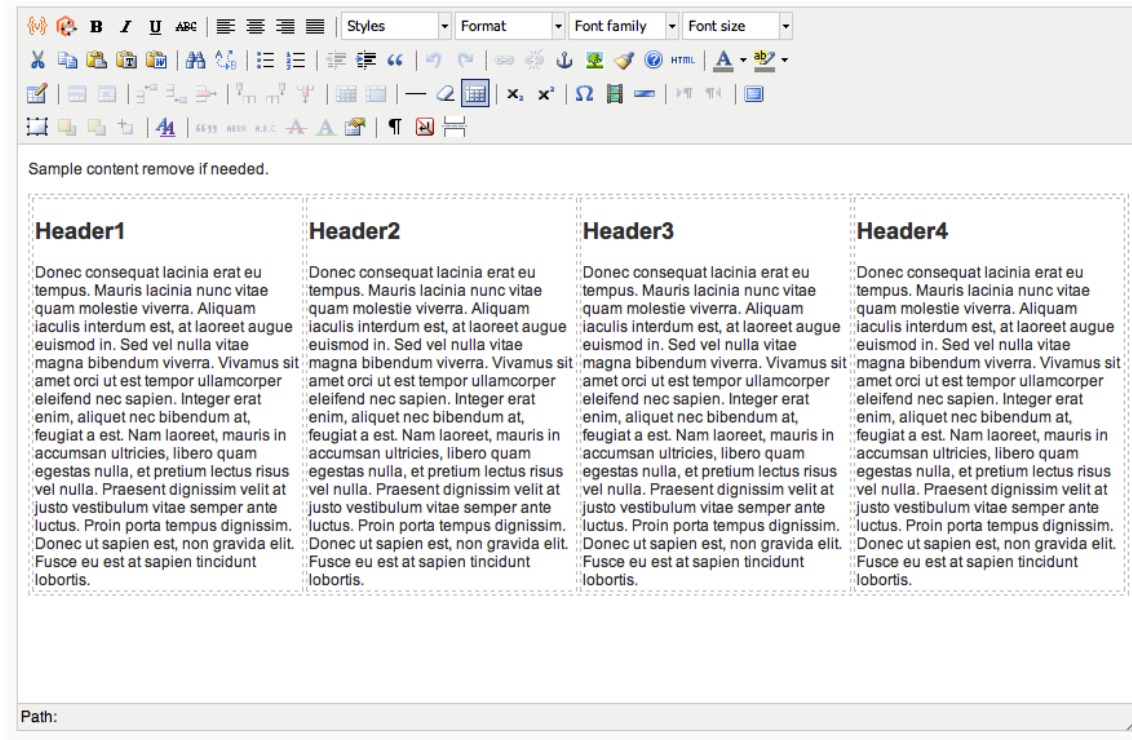
Store view: select All store views and tab will be shown on all views, or set it to specific one

Align tab: item alignment the left or right

Top Navigation menu - Tabs

Status: disabled tabs wouldn't be shown on front-end

Content: tab content



Tab content:

By default tab content organized using table with 4 columns, but you can manage content with default magento's editor paste images,widgets,etc..

Top Navigation menu - Tabs

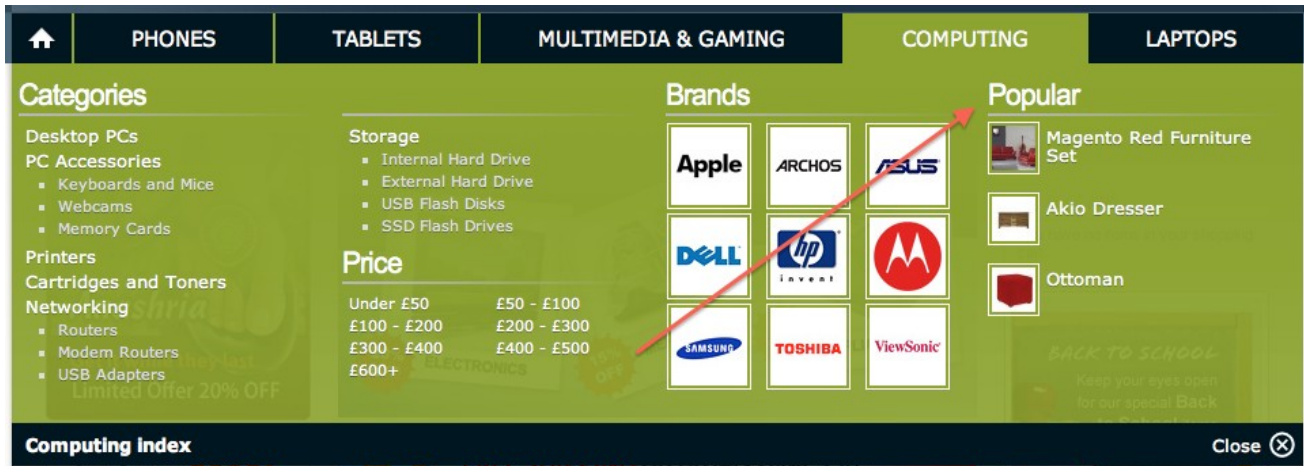
Widget "Most Popular" :

You also have ability to display most popular products using built-in widget. To do it use following magento snippet

```
{{block type="tabs/popular" categoryid="22" count="4" template="ip_tabs/popular.phtml"}}
```

categoryid - products category

count - product count (default - 4)



Extension Troubleshooting

After the extension installation the store gives an error, or blank page, or suggests to start Magento installation procedure.

- > Change the owner of the extracted extension files to the web server user and set 775 permissions on them. Clear the store cache and try again.**

There is extension tab under configuration section, or having the extension tab clicked I get a blank page, or *Access Denied* error.

- > Clear the store cache, browser cookies, logout and login again.**

I've set up everything correctly, inserted the HTML code but there is nothing on that page.

- > Clear the store cache, clear your browser cache and domain cookies and refresh the page.**

My configuration changes do not appear on the store.

- > Clear the store cache, clear your browser cache and domain cookies and refresh the page.**

Extension Uninstallation

You can disable extension if you delete `"/app/etc/modules/Ip_Tabs.xml"` file or just change `"true"` to `"false"`

```
<?xml version="1.0"?>
<config>
  <modules>
    <Ip_Tabs>
      <active>true</active>
      <codePool>community</codePool>
    </Ip_Tabs>
  </modules>
</config>
```

But if you need completely remove this extension from your magento installation follow this steps

1 delete extension files

2 delete `"megamenu_setup"` record from [core_resource](#) table

<input type="checkbox"/>			tabs_setup	1.0.0	1.0.0
--------------------------	--	--	------------	-------	-------

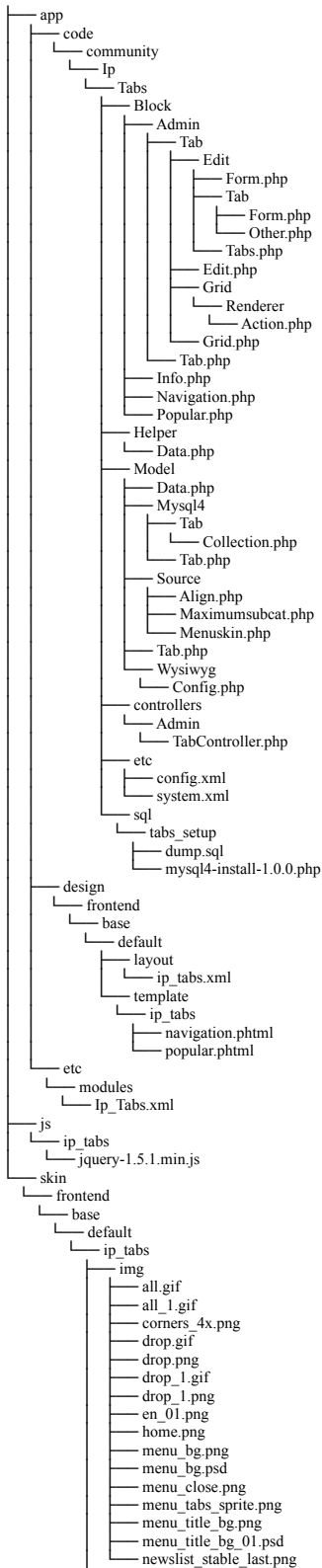
3 remove db tables from your magento database

<input type="checkbox"/>	ip_tabs_tab							5	InnoDB
<input type="checkbox"/>	ip_tabs_tab_store							5	InnoDB

4 Remove extension extension Files & Folders tree

Top Navigation menu - Tabs

Extension folders and files



Top Navigation menu - Tabs

└─ menustyle.css
└─ tabs.css

CustomWork with Magento!

As you may know, for now Magento is the superior ecommerce platform, scalable and and full of additional features that the others ecommerce platforms doesn't have. We are focused on the the custom module and additional features development for Magento CMS. We also provide premium web-store development services including design and consulting. For us is not important your business size, does your company big or it doesn't. We will build you your eCommerce business through research with the latest innovations in web-development niche.

If you need need custom development for magento, please do not hesitate to contact us at support@magazento.com or <http://www.magazento.com/english/quote>

All company and brand products and service names are trademarks or registered trademarks of their respective holders.

Copyright 2012 Magazento